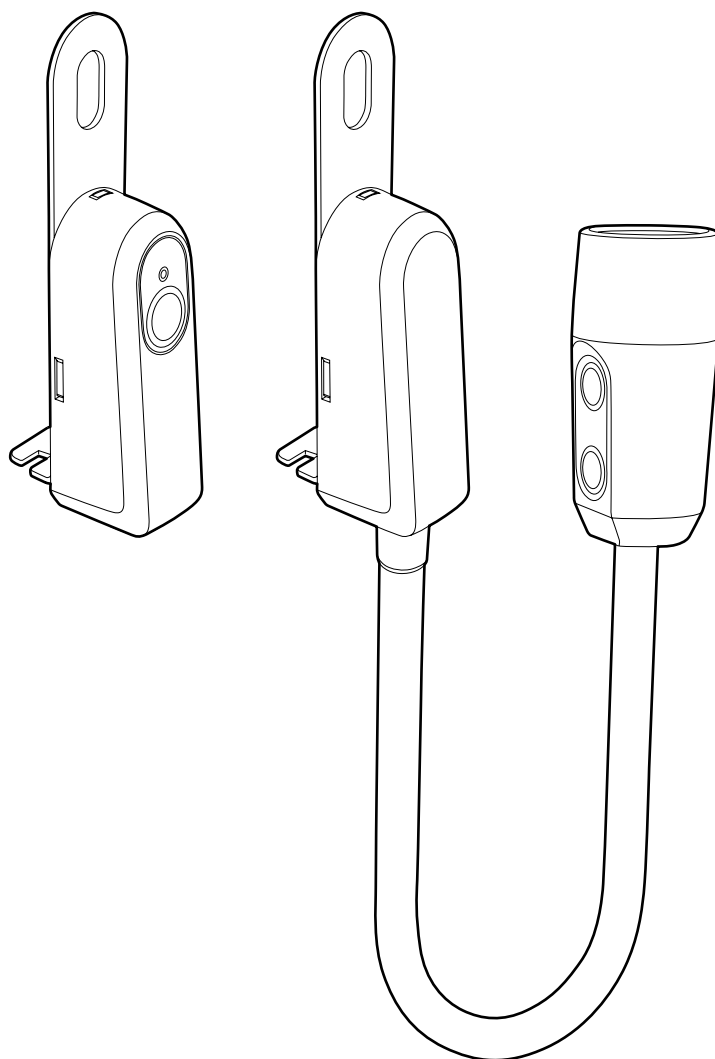




PRX S/LS



General

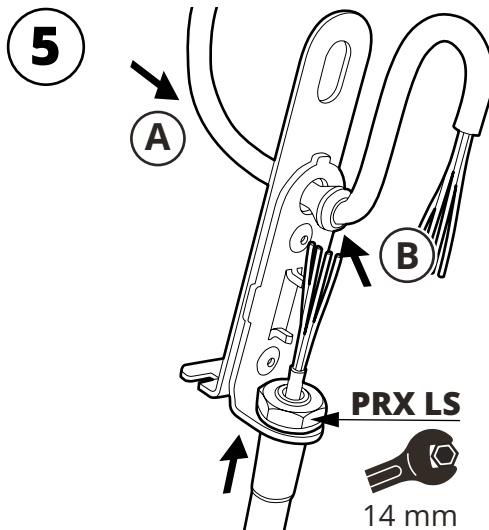
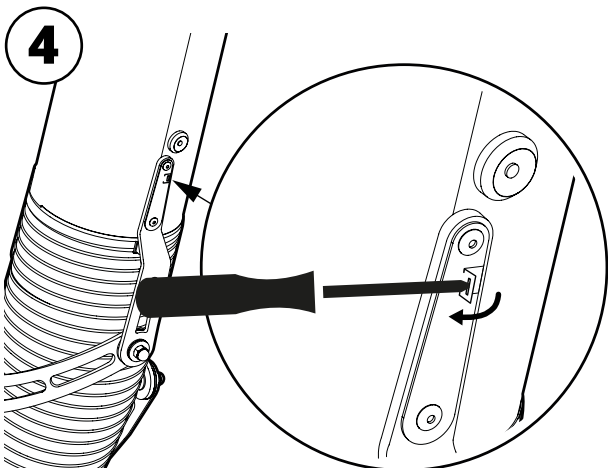
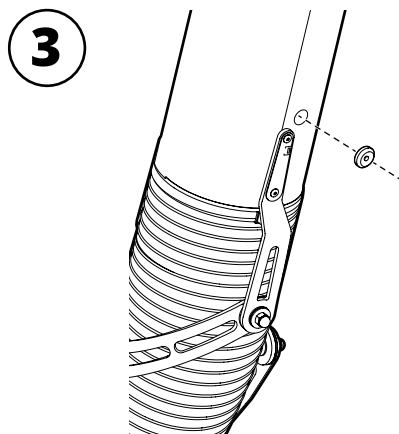
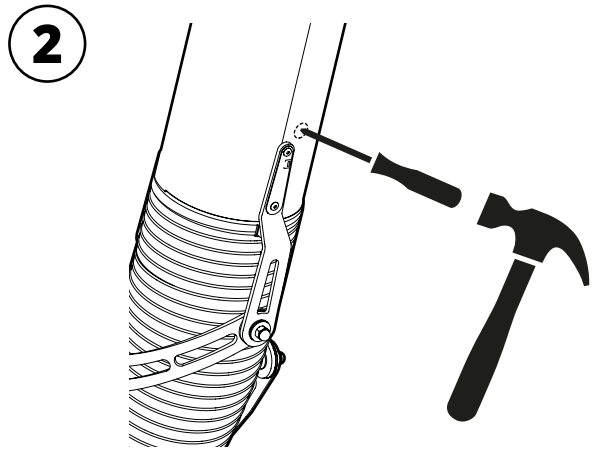
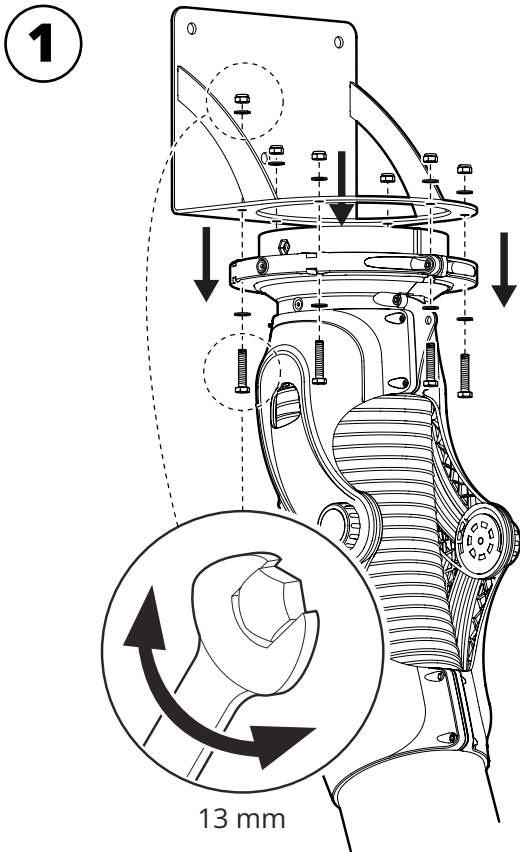


Electrical components may only be installed by a qualified electrician.

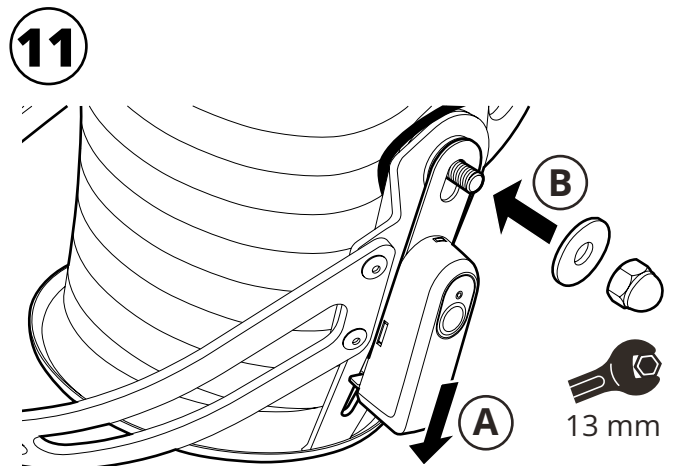
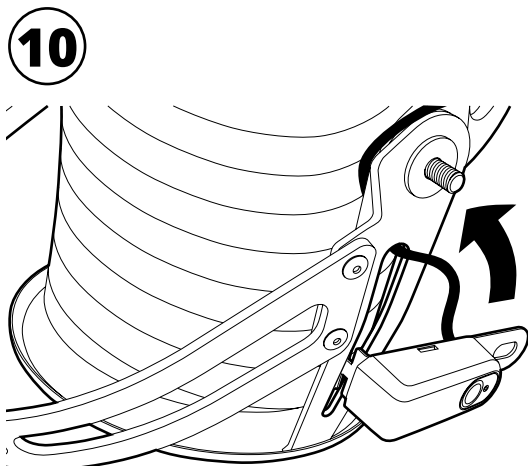
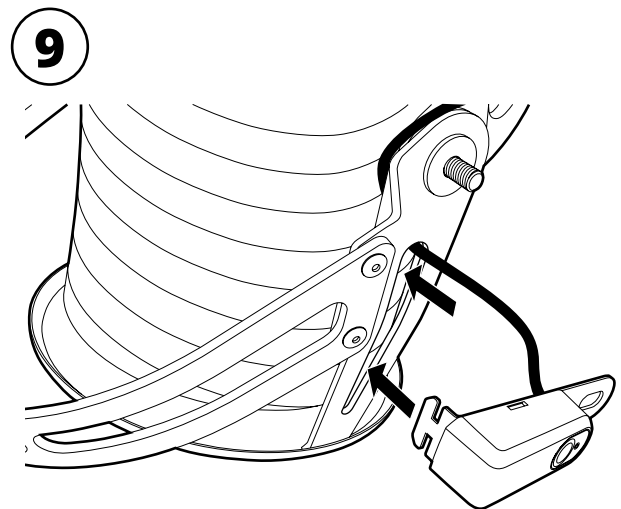
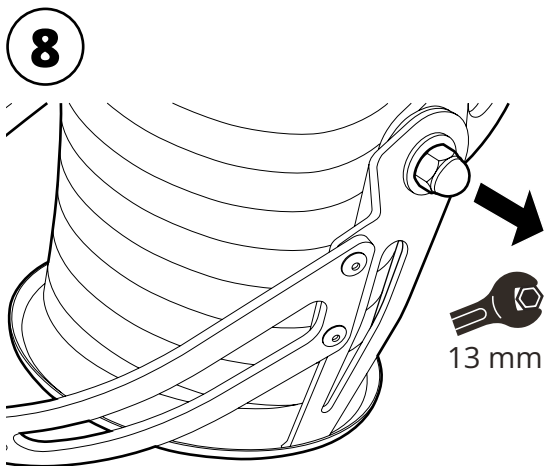
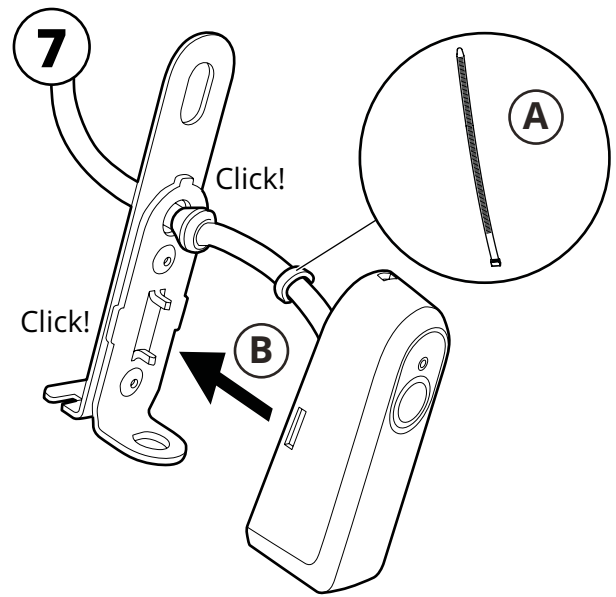
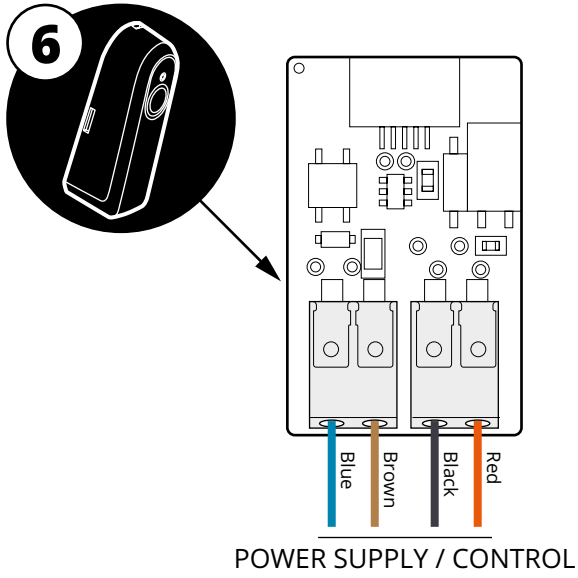
Push Button Kit **PRX S** and **PRX LS** is developed for easy starting / stopping of example lamp, fan and damper. Power supply via separate transformer or control unit.

Installation

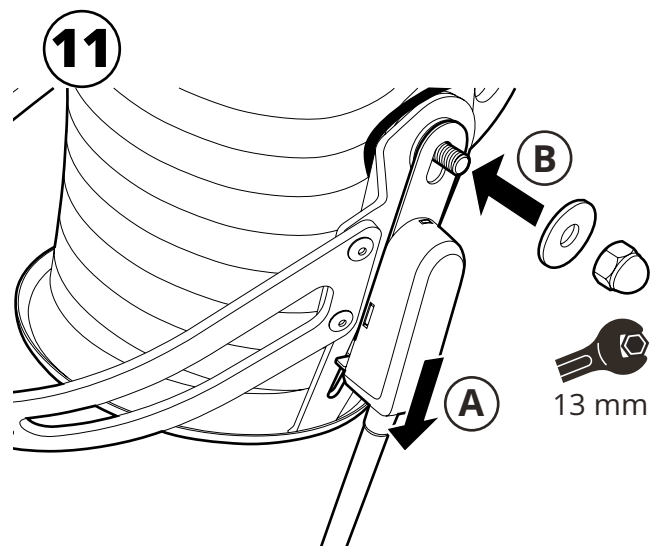
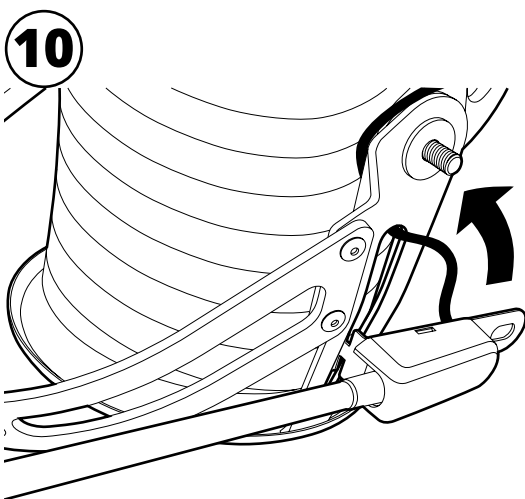
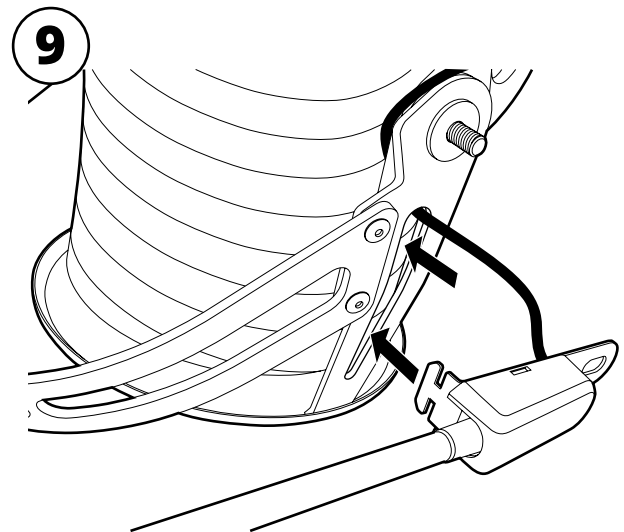
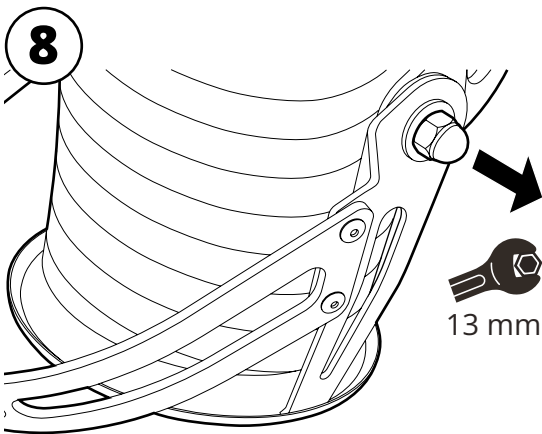
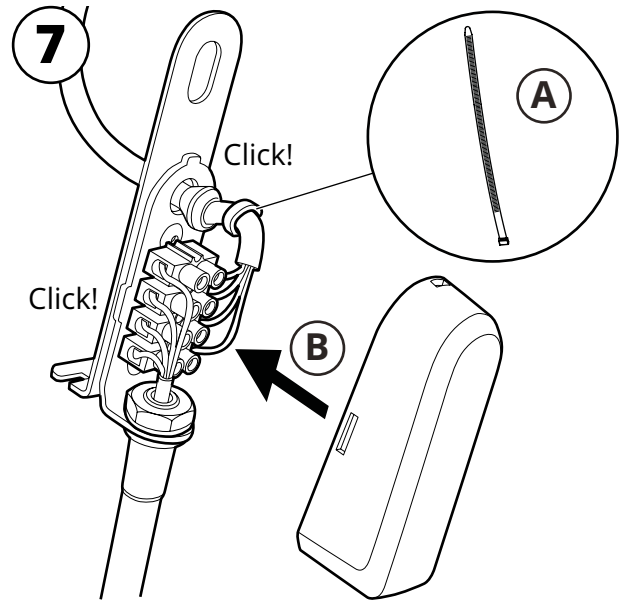
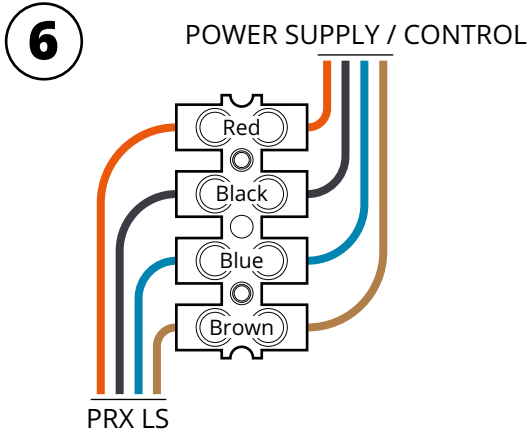
PRX S/LS



PRX S

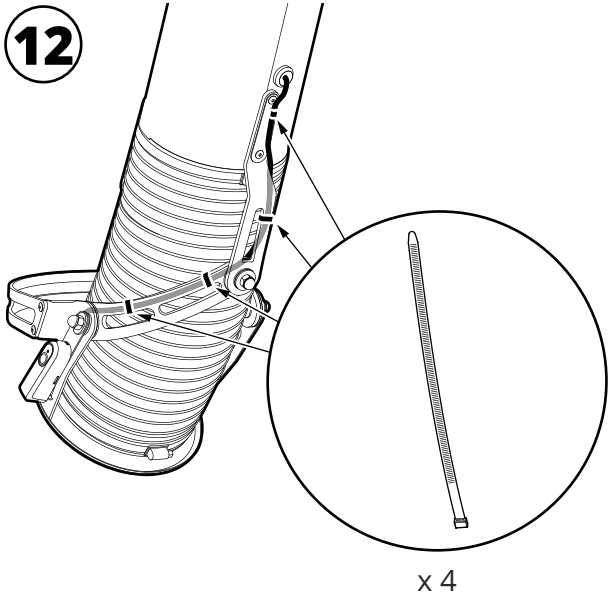


PRX LS

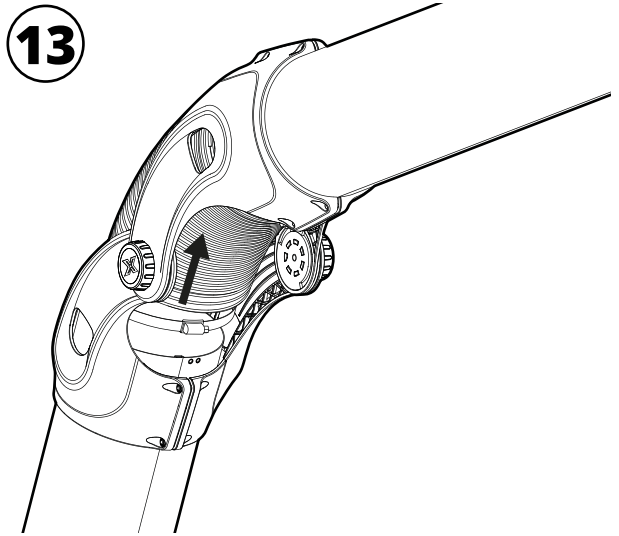


PRX S/LS

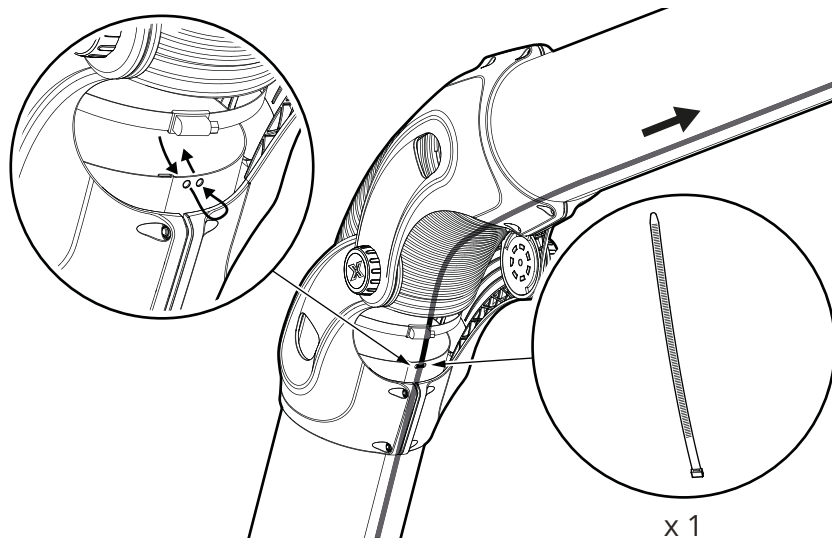
12



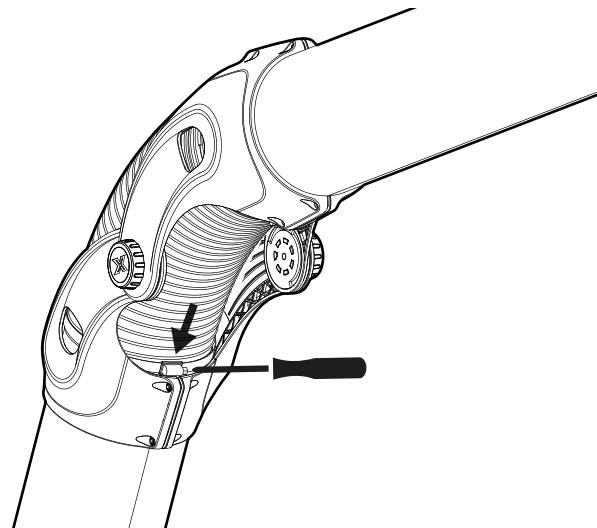
13

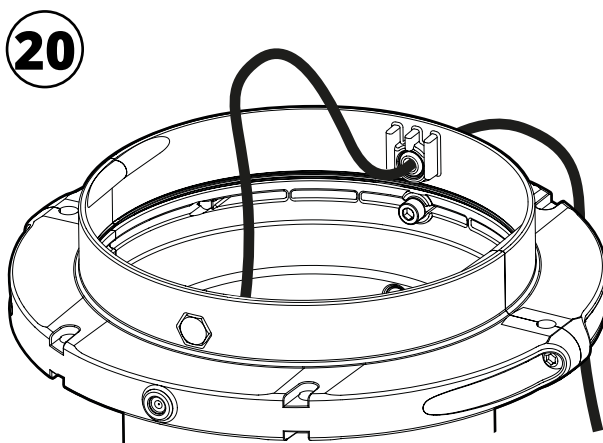
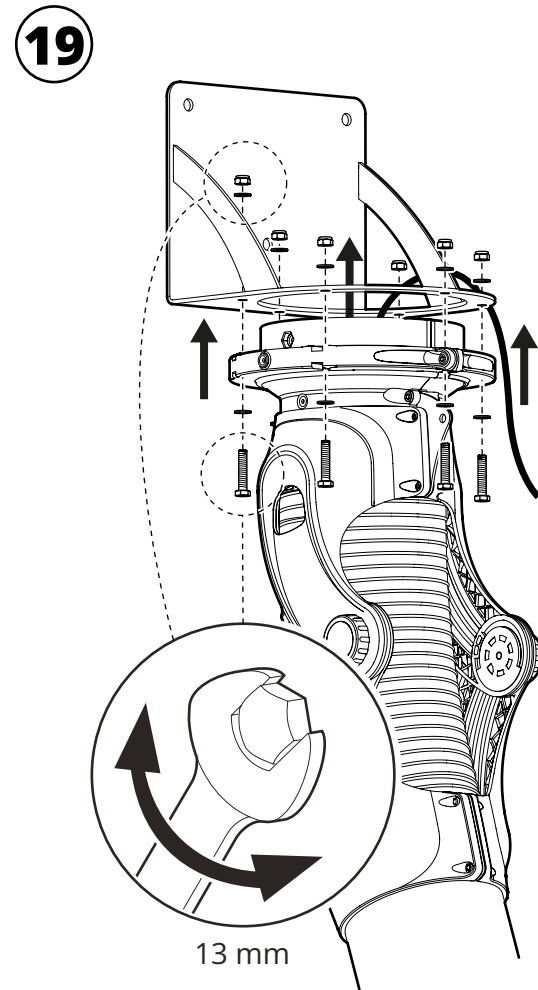
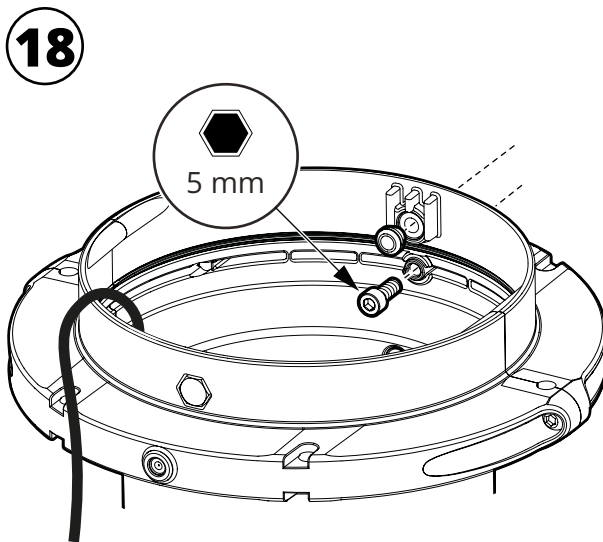
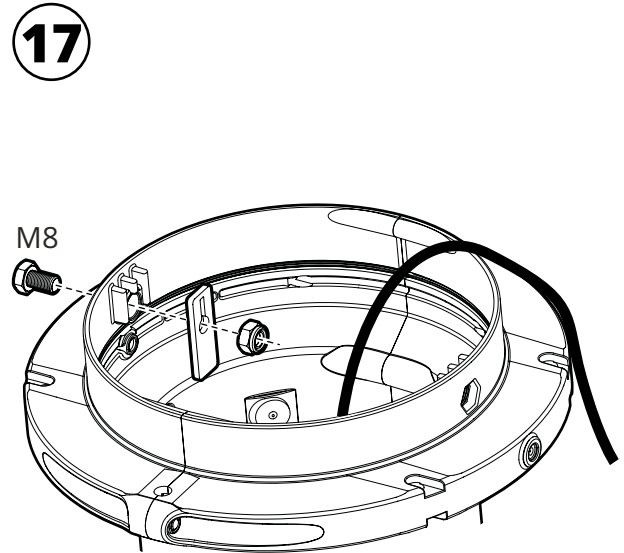
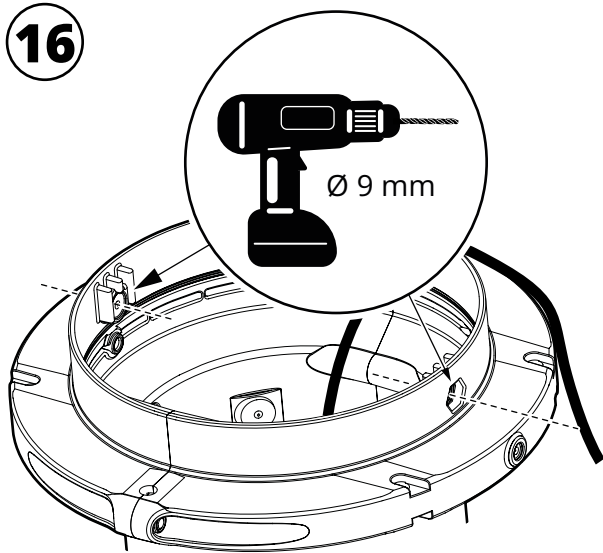


14



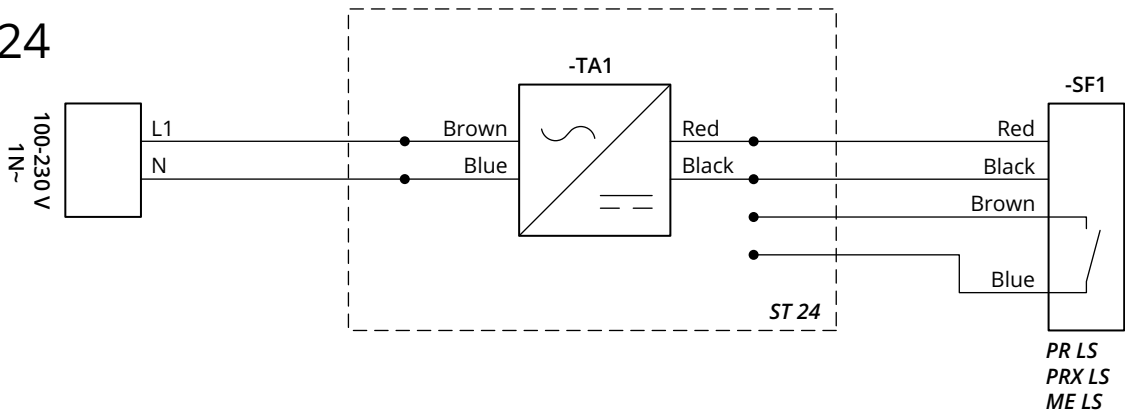
15



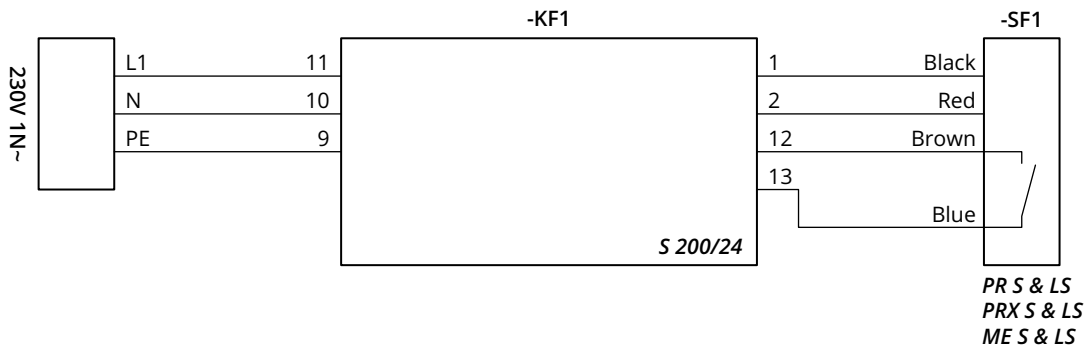


Wiring diagram

ST 24



S 200/24V



S 400



Technical data

PRX S

Installation

Voltage: 24 V AC/DC
Frequency: 50-60 Hz
Ambient temp.: 0 to 50 °C
Weight: 55 gram

Meets requirements

EMC: EN IEC 55015:2019
Luminaires - Safety: EN IEC 60598-2-1:2021
Controlgear - Safety: IEC 61347-2-13:2014
RoHS directive: 2011/65/EU

Product

Materials

Housing: PP
Bracket internal: Aluminium
Bracket external: Steel
Dimension: 115 x 26 x 42 mm

Maintenance

Maintenance free

PRX LS

Installation

Voltage: 24 V AC/DC
Power: 5 W
Luminous flux: 500 lm¹
Light exchange: 110 lm/W
Colour temperature: 4000 K
Ambient temp.: 0 to 50 °C
Enclosure class: IP 20
Weight: 270 gr

¹ Dimmable 100 - >10 %

Meets requirements

EMC: EN IEC 55015:2019
Luminaires - Safety: EN IEC 60598-2-1:2021
Controlgear - Safety: IEC 61347-2-13:2014
RoHS directive: 2011/65/EU

Product

Materials

Housing: Aluminium
Gooseneck: Stainless steel
Bracket internal: Aluminium
Bracket external: Steel

Dimensions

Housing: Ø38 x 90 mm
Gooseneck: Ø12 x 380 mm

Maintenance

Maintenance free

EXTRACTION ARMS • VEHICLE EXHAUST EXTRACTION • FANS • FILTERS • CURTAINS • CONTROLS

FUMEX

G:a Burträskvägen 48, 931 92 Skellefteå, Sweden • Tel.: +46 910-361 80 • Fax: +46 910-130 22 • E-mail: info@fumex.se

www.fumex.com